

OTHERS

Dimension (mm)(LxWxH)	460 × 265 × 160mm
Weight (Kg)	28 Approx.
Communication	RS485 /UART /CAN
IP Rating	IP66
Power Connector	SB-120 on side. Optional

WARNINGS

During their use, the batteries should be kept away from heat sources and high voltages.

Do not dismantle or assemble the batteries by yourself.

Do not heat and burn of the batteries and throw them in fire.

Damping of the battery is prohibited.

Avoid charging battery near a fire source or in direct sunlight.

The battery should not be damaged by means of methods like knocking metallic things into the battery, hammering the battery, knocking it violent or etc.

Welding is not allowed to be conducted on the battery.

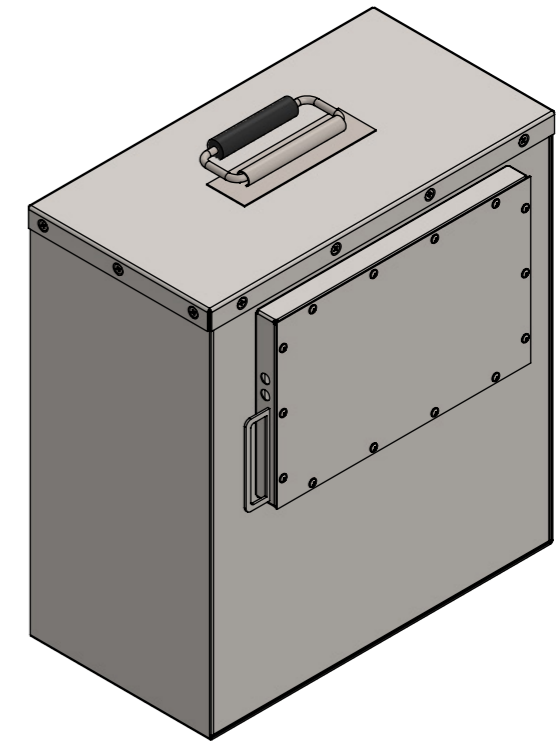
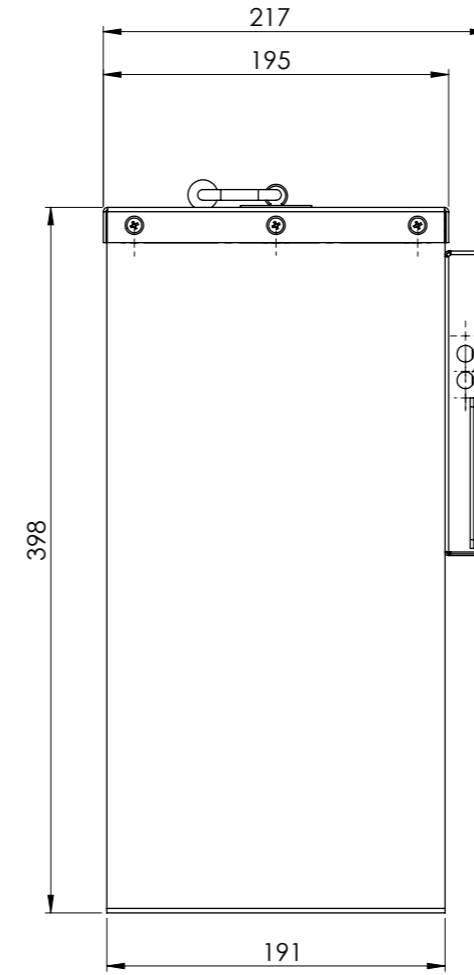
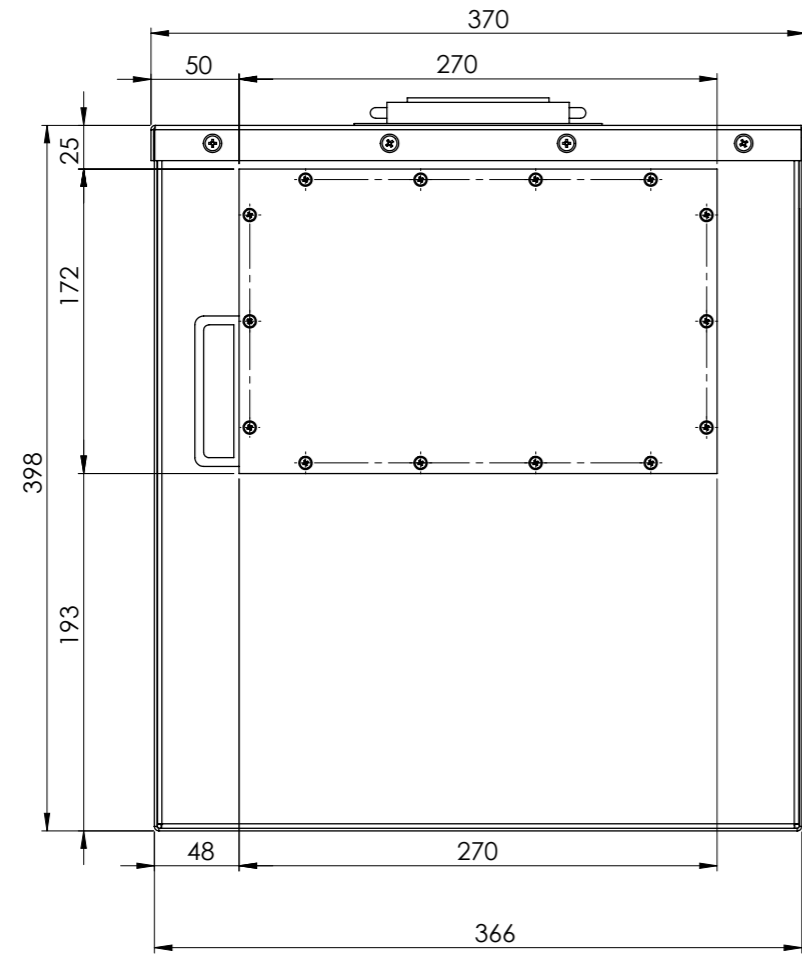
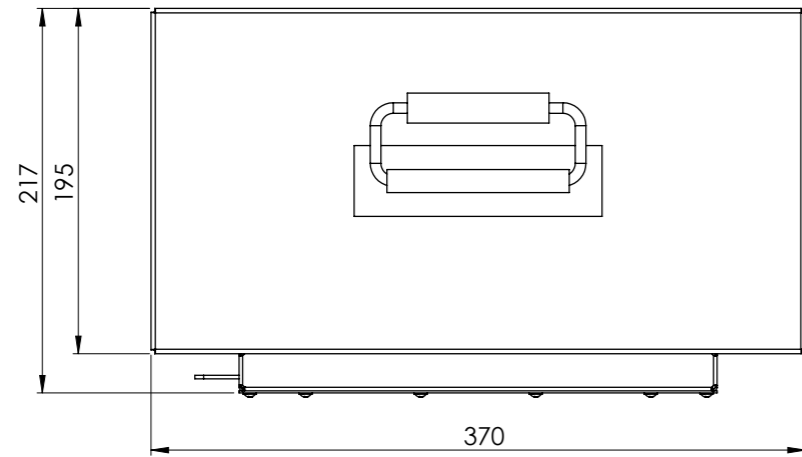
Do not directly contact with the leaking battery.

NEURON ENERGY

OFFICE : 505, SAI HERITAGE, TILAK ROAD, GHATKOPAR (E), MUMBAI - 400 077

BRANCH : DELHI | MUMBAI | CHENNAI | VARANASI | KOLKATA | TOLL FREE NUMBER : 1800-102-2139 | EMAIL : SALES@NEURONENERGY.IN

CONFIDENTIAL AND ALL RIGHTS RESERVED © 2021
NEURON ENERGY




32700 LFP CELL - 3.2V 6Ah
CELL CONFIGURATION - 23S 10P

[FOR APPROVAL ONLY]

NOTE:-

1. 1NO ANDERSON CONNECTOR (SB-50) WILL BE PROVIDED FOR CHARGING & DISCHARGING.

UNLESS OTHERWISE SPECIFIED: DIMENSIONS ARE IN MILLIMETERS SURFACE FINISH: TOLERANCES: DIN ISO 2768-mk LINEAR: ANGULAR:			FINISH:	DEBURR AND BREAK SHARP EDGES	DO NOT SCALE DRAWING	REVISION	01
DRAWN	A.A	SIGNATURE	DATE		TITLE: 		
CHK'D	MB		17.03.22		DWG NO. NE2W7460AL		
APP'VD	MB		15.11.21		A2		
MFG					SCALE: 1:5		
Q.A					SHEET 1 OF 1		
				MATERIAL:			
				WEIGHT:			